



BPE[®]

BADGER POWER ELECTRONICS

www.BadgerPowerElectronics.com

BPE Amstel Dock User Manual



User Manual Contents.....1

1. Safety Information.....	1
1.1. Important safety instructions.....	1
2. Specification.....	2
2.1. Datasheet.....	2
3.Preparation for Installation.....	3
3.1. Installation requirements.....	3
3.2. Electrical Wiring Diagram.....	4
3.2.1. 230V Single Phase.....	4
3.3. Installation Considerations.....	4
4.In the Box.....	5
5.Installation Instructions.....	6
5.1. Step-by-Step Installation Instructions for:.....	6
7.Maintenance Instructions.....	7
7.1. Product Servicing.....	7
7.2. Warranty Description.....	7
7.3. Safety Notice.....	7

1. Safety Information

1.1. Important Safety Instructions

This document contains important instructions and warnings that must be followed for both installation and maintenance of the Amstel Dock.



WARNING

- Read this entire document before installing the Amstel Dock.
- Keep children away from the Amstel Dock.
- The Amstel Dock must be grounded through a permanent wiring system or an equipment grounding conductor.
- Do not install the mounting bracket near flammable, explosive, harsh, or combustible materials, chemicals, or vapours.
- Never spray water or any other liquid directly at the wall mounted Amstel Dock.
- Do not use the Amstel Dock if it is defective, appears cracked, frayed, broken, or otherwise damaged.
- Do not attempt to disassemble, repair, tamper with, or modify the Amstel Dock yourself. Any maintenance must be performed by authorised technical personnel or our company's technical support. Contact us for any repairs or modification.
- Handle with care when transporting the Amstel Dock. Do not subject it to strong force, impact or pull, twist, tangle, drag, or step on the Amstel Dock to prevent it or any components from damage.

2. Specification

2.1 Datasheet

Specification		BPE Amstel Dock
Compatible Chargers		BPE Amstel 7.4kW - Tethered
		BPE Amstel 7.4kW - Socket
		BPE Amstel 22kW - Tethered
		BPE Amstel 22kW - Socket
Physical Conditions	Ingress Protection	IP65
	Dimensions (WxHxD)	168 x 285 x 85 mm
	Potential points of entry	3
	Weight	0.3 kg
Certifications	Certifications	CE
Warranty	Warranty	5 Years

3. Preparation for Installation

3.1. Installation Requirements

Installation of the EV Charger requires that you:

- Calculate the existing electrical load to determine the maximum operating current.
- Calculate the distance to ensure minimal voltage drop.
- Obtain any necessary permits from the local authority that has jurisdiction and confirm that the follow-up inspection has been scheduled by an electrician after the installation is complete.
- Use only copper conductors.
- Use conductors that are sized in accordance with local wiring regulations. The selected cable must be able to sustain periods of constant load of up to 40A.
- Use protective devices. The circuit protection device chosen must incorporate a suitable residual-current device (RCD) and over-current protection in relation to the electrical load selected.

Choose the Best Location for the EV Charger:

- Determine the parking location of the vehicle to ensure that the charge cable will reach the charge port.
- Determine the parking location of the vehicle to ensure that the current charge cable reaches the charge port in an enclosed garage, typically on the vehicle's charge port side.
- In a well-ventilated area. Avoid installation in an enclosed box, or adjacent to hot appliances.
- 1.2m above the ground.
- 190mm from any obstacle to allow cable collected.

Note:

The Amstel Dock is approved for outdoor use. Protection from rain is recommended but not required.

3.2. Electrical Wiring

3.2.1. 230V Single-Phase

The L,N and PE should be wired according to local requirements. The phase used must measure 230V ($\pm 10\%$).



- **WARNING:** Each ground must be connected to neutral at only one point, or the EV charger cannot operate.
- **WARNING:** Before installing the Amstel Dock, identify the type of utility service connection available on site. If you are unsure about the type of connection available at the service panel, consult an electrician for assistance.



3.3. Installation Considerations

Three configurations are available to install the Amstel Dock:

The location of the conduit determines which installation method to follow. If the conduit runs along the floor or low to the wall, use the bottom entry configuration. If the conduit comes from inside the wall, use the rear entry configuration. If the available conduit comes from the ceiling, use the top entry installation.

Note: Throughout the manual, “conduit” is used as the standard term for the protective tubing that houses the service wiring. In regions where conduit is not used (Europe for example), a cable comprised of service wiring enclosed in a protective jacket may be substituted for conduit if allowed by local regulations.

Here are some additional guidelines:

- Conduit openings are sized for 32mm conduit.
- Conduit needs to be metal and flame retardant.
- Use an appropriate circuit breaker.
- To keep the housing waterproof, use cable glands.

4. In The Box



1



2



3



4



5

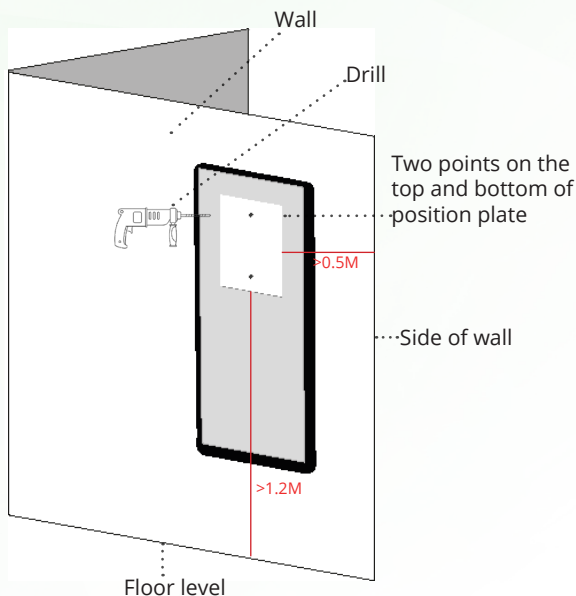


6

NO.	Item	Quantity
1	Amstel Dock - Front Cover	1
2	Amstel Dock - Back Box	1
3	32mm cable gland	1
4	Mounting Template	1
5	8 x 40mm anchoring screw	1
6	M6*8 Screws	4

5. Installation Instructions

5.1. Mounting the Amstel Dock



Step 1

Position

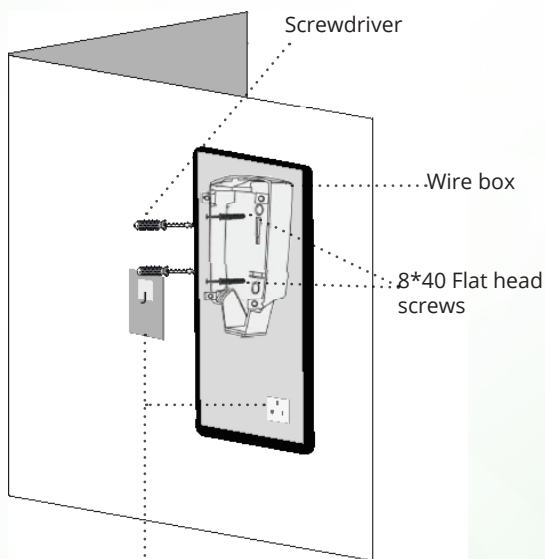
Position the template on the wall where you wish to install the EV Charger.

The picture shows the distances we recommend.

At a minimum of 120cm from floor level.

Drilling pilot holes.

Drill two holes according to the instruction on the position template.



Step 2

Insert the 8*40 Flat head screws into the holes, and use the screw driver to make the 2pcs 8*40 flat head screws anchor the wire box onto the wall.

Note: Hooks and socket are not included. For reference only.

7. Maintenance Instructions

In order to ensure the normal service life of the Amstel Dock and reduce the risk during its life, it must be serviced within the specified time period; the service of the equipment should be carried out by professionals, and qualified and correct tools should be used.

7.1. Product Servicing

- Regularly check whether the product is damaged.
- Ensure that the circuit breaker dedicated for the Amstel Dock is switched off at the consumer unit
- If a ground fault occurs, first make sure that the grounding cable carries voltage, and then check that there is no high voltage in the system, and then repair the Amstel Dock.

7.2. Warranty Description

- BPE Amstel Dock has a 5 year warranty.
- Ensure that the Amstel Dock has undergone proper installation. During the warranty period, if quality problems occur under normal use, the company will provide a replacement.
- The user's improper handling, installation, incorrect use and maintenance, negligence or natural damage to the product and failure of normal use are not covered by the warranty.

7.3. Safety Notice

Operation and maintenance risk notification

- Do not disassemble the Amstel Dock while it has power connected, otherwise it may cause fire and electric shock accidents.
- In the event the Amstel Dock gets damaged, there may be a risk of electric shock. Ensure that the power is switched off before carrying out any maintenance.
- Do not disassemble or modify charging facilities and wiring without authorisation, otherwise it may cause fire and electric shock accidents.



BPE®

BADGER **POWER** ELECTRONICS

www.BadgerPowerElectronics.com